

# BRASS TUBULAR END OUTLET

## »» 240 SERIES

### SPECIFICATION

Sioux Chief 240 Series brass tubular continuous waste end outlets shall be installed where necessary in plumbing systems. End Outlets shall be designed with a cast brass baffle tee and used to convey domestic waste water from fixtures to DWV system.

Designed in accordance with ASME A112.18.2.

### MATERIALS

**Tubular:** Chrome-plated brass

**Nuts:** Chrome-plated zinc or brass

### DIMENSIONS

	<b>-276116C04</b>	<b>-276121C04</b>	<b>-276216C04</b>
A: Length	16"	21"	16"
B: Trunk height	6-1/2"	6-1/2"	6-1/2"
C: Waste arm height	7-1/2"	7-1/2"	7-1/2"
D: O.D.	1-1/2"	1-1/2"	1-1/2"
Gauge	22ga	22ga	20ga

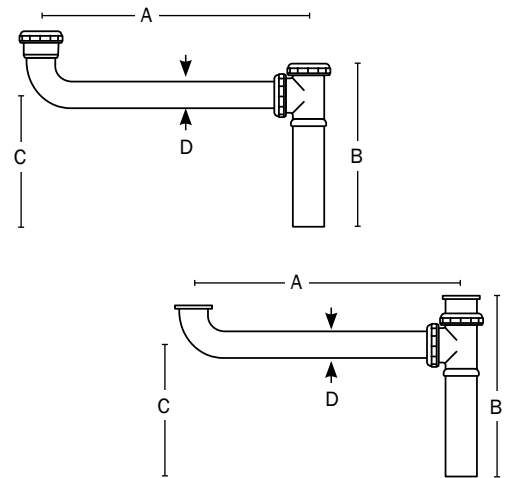
	<b>-276221C04</b>	<b>-276316C04</b>	<b>-276321C04</b>
A: Length	21"	16"	21"
B: Trunk height	6-1/2"	6-1/2"	6-1/2"
C: Waste arm height	7-1/2"	7-1/2"	7-1/2"
D: O.D.	1-1/2"	1-1/2"	1-1/2"
Gauge	20ga	17ga	17ga

	<b>-286116C04</b>	<b>-286216C04</b>	<b>-286316C04<sup>1</sup></b>
A: Length	16"	16"	16"
B: Trunk height	7-1/2"	7-1/2"	7-1/2"
C: Waste arm height	7-1/2"	7-1/2"	7-1/2"
D: O.D.	1-1/2"	1-1/2"	1-1/2"
Gauge	22ga	20ga	17ga

<sup>1</sup> Brass nuts

ITEM # SUBMITTED	_____
JOB NAME	_____
LOCATION	_____
ENGINEER	_____
CONTRACTOR	_____
PO#	_____ TAG _____



### Create Item Number

## 240-ABC

e.g. **240-276116C04**: Chrome-plated brass slip Joint end outlet - 1-1/2" x 16", 22 gauge,

#### CONNECTION TYPE **A**

**276** = Slip Joint Connection

**286** = Direct Connect

#### GAUGE **B**

**1** = 22 Gauge

**2** = 20 Gauge

**3** = 17 Gauge

#### LENGTH **C**

**16C04** = 16"

**21C04** = 21"



Note: Not all option combinations are available. See Dimensions table above for available items.