

BigBoy™ SINK STRAINERS

/// 245-1647 SERIES

SPECIFICATION

Tomahawk BigBoy™ sink strainers are designed to prevent debris from entering a drainage system with a removable strainer basket designed to collect debris. Tomahawk sink strainers are intended to convey domestic waste from fixtures to the drain, waste and vent (DWV) system. Complies to ASME A112.18.2-2015/CSA B125.2-15.

MATERIALS

Stainless steel

Finish: polished stainless steel and chrome

FEATURES

- deep cut threads
- back nut style
- spring post basket

DIMENSIONS

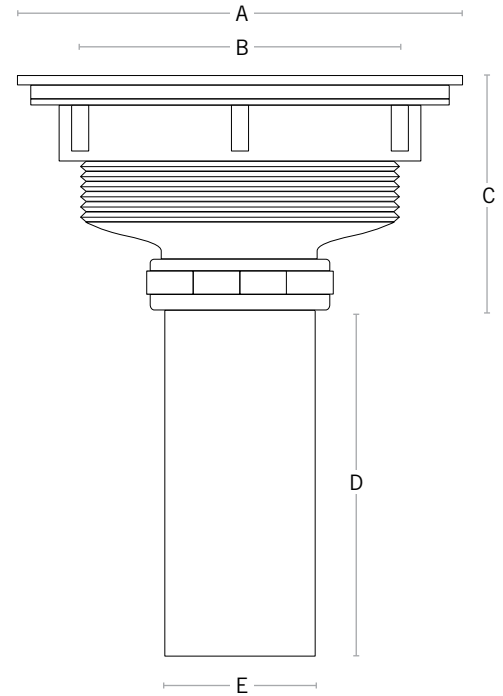
*Tomahawk specifications in US customary units are approximate and are provided for reference only.

- | | |
|-----------------------|----------|
| A: flange diameter | 4-1/2" |
| B: body diameter | 3-11/32" |
| C: body height | 2-1/2" |
| D: tailpiece | 4" |
| E: tailpiece diameter | 1-1/2" |

ITEM # SUBMITTED	_____
JOB NAME	_____
LOCATION	_____
ENGINEER	_____
CONTRACTOR	_____
PO#	_____ TAG _____



245-16470C04



Create Item Number

245-1647A C04

e.g. 245-16471C04: BigBoy™ sink strainer, stainless steel, w/ tailpiece, 1/bx

ADDITIONAL COMPONENTS A

0 = n/a

1 = w/ tailpiece

