

BRASS BATH DRAIN 'NEW YORK CITY' STYLE

▶▶ 973 SERIES

EzyTouch®

SPECIFICATION

Sioux Chief EzyTouch® brass bath drains are intended to provide accessible and replaceable tube and fittings to convey domestic waste from fixtures to the drain, waste and vent (DWV) system. Bath drain shall include brass nuts, a two-hole faceplate, and reamed tee connection. Designed in accordance with ASME standard A112.18.2.

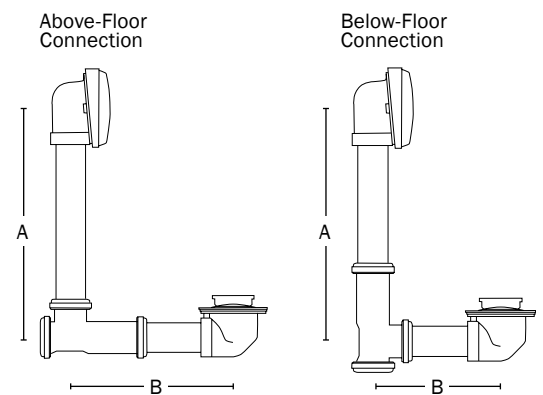
MATERIALS

17-ga. Brass with chrome-plated accents

DIMENSIONS

	Above-Floor Connection	Below-Floor Connection
A: Vertical adjustment	14-1/4" – 14-5/8"	14-1/2" – 16-1/2"
B: Horizontal adjustment	6-5/8" – 8-5/8"	6-1/2" – 6-7/8"

ITEM # SUBMITTED	_____
JOB NAME	_____
LOCATION	_____
ENGINEER	_____
CONTRACTOR	_____
PO#	_____ TAG _____



Item Number

973-2439C04