

# BRASS BATH DRAIN TRIP-LEVER STYLE FOR ROMAN TUBS

## »» 973 SERIES

### SPECIFICATION

Sioux Chief brass trip-lever bath drains are intended to provide accessible and replaceable tube and fittings to convey domestic waste from fixtures to the drain, waste and vent (DWV) system. Bath drain shall include cast brass plunger, brass drain spud, and metal linkage. Designed in accordance with ASME standard A112.18.2.

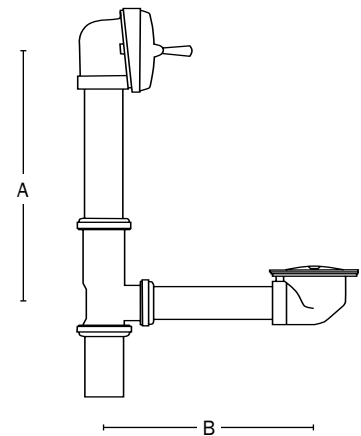
### MATERIALS

20-ga. brass with chrome-plated trim  
Zinc nuts

### DIMENSIONS

**A:** Vertical adjustment      20-1/4" – 22-1/4"  
**B:** Horizontal adjustment    11-1/2" – 11-7/8"

ITEM # SUBMITTED	_____
JOB NAME	_____
LOCATION	_____
ENGINEER	_____
CONTRACTOR	_____
PO#	_____ TAG _____



Item Number

**973-3016C04**