

BRASS BATH DRAIN TRIP-LEVER STYLE

» 973 SERIES

SPECIFICATION

Sioux Chief brass trip-lever bath drains are intended to provide accessible and replaceable tube and fittings to convey domestic waste from fixtures to the drain, waste and vent (DWV) system. Bath drain shall include cast brass plunger, brass drain spud, metal linkage, and feature Lifebrite™ finish on plated trim components. Designed in accordance with ASME standard A112.18.2.

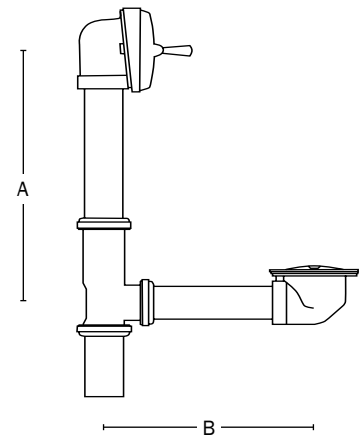
MATERIALS

Brass with plated trim

DIMENSIONS

	17-ga. Model	20-ga. Model
A: Vertical adjustment	11-3/8" – 13-3/8"	6-7/8" – 7-1/4"
B: Horizontal adjustment	11-7/8" – 13-3/4"	6-5/8" – 7"

ITEM # SUBMITTED	_____
JOB NAME	_____
LOCATION	_____
ENGINEER	_____
CONTRACTOR	_____
PO#	_____ TAG _____



Create Item Number

973-AB

e.g. **973-3015C04**: 20-ga. brass trip-lever bath drain with chrome-plated trim

BODY GAUGE A
2015 = 17-ga. tubular brass
3015 = 20-ga. tubular brass

TRIM FINISH B
C04 = Chrome-plated
PB04 = Polished brass
SN04 = Satin Nickel