

Ezy Touch® BRASS BATH DRAINS

/// 973-2302 SERIES, 973-3302 SERIES

SPECIFICATION

Tomahawk Ezy Touch® brass bath drains are intended to provide accessible and replaceable tube and fittings to convey domestic waste from fixtures to the drain, waste and vent (DWV) system. Tomahawk Ezy Touch® brass bath drains shall meet or exceed ASME standard A112.18.2.

MATERIALS

Brass

Finish: chrome

FEATURES

- 17 gauge or 20 gauge available
- two-hole faceplate
- Ezy Touch® trim with brass strainer body

DIMENSIONS

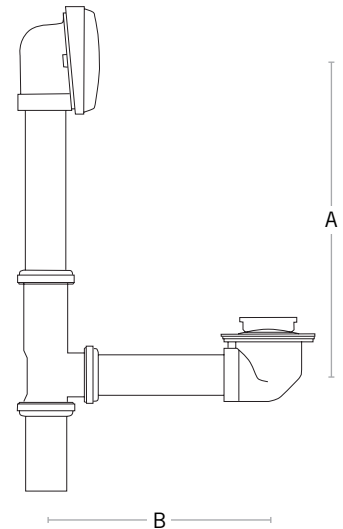
* Tomahawk specifications in US customary units are approximate and are provided for reference only.

- A: center of overflow to center of waste (vertical) 14"
B: center of overflow to center of waste (horizontal) 6-1/2"

ITEM # SUBMITTED	_____
JOB NAME	_____
LOCATION	_____
ENGINEER	_____
CONTRACTOR	_____
PO#	_____ TAG _____



973-2302C04



Choose Item Number

973-2302C04

Description: Ezy Touch® brass body strainer, tubular brass, 17ga, two-hole faceplate, chrome, 1/bx

973-3302C04

Description: Ezy Touch® brass body strainer, two-hole faceplate, 20ga, chrome, 1/bx

