

# TOP BEAM CLAMP

» 542-PK2

## SPECIFICATION

Sioux Chief 542 Top Beam Clamp shall be used where necessary to suspend or support IPS or CTS piping with 3/8" threaded rod from steel I-beams in accordance with national code requirements (locknut included). Hanger shall comply with MSS-SP58 Type 19. See MSS-SP69 for proper set screw recommendations.

## INSTALLATION

Secure Beam Clamp to I-beam flange. Install 3/8" threaded rod and suspend hanger (not provided) from rod. Follow national code requirements regarding Hanger spacing and load restrictions.

## MATERIALS

Ductile iron

## SAFE WORKING LOAD

350 lbs.

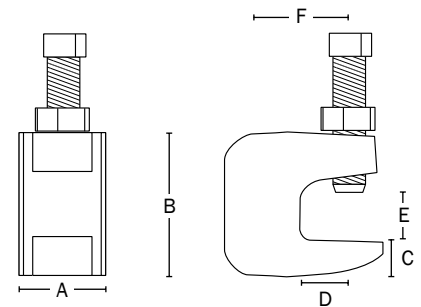
## DIMENSIONS

<b>A:</b> Depth	0.88"
<b>B:</b> Height	1.5"
<b>C:</b> Beam clamp width	0.31"
<b>D:</b> Beam clamp depth	0.5"
<b>E:</b> Beam depth	0.75"
<b>F:</b> Centerline	1"

ITEM # SUBMITTED	_____
JOB NAME	_____
LOCATION	_____
ENGINEER	_____
CONTRACTOR	_____
PO#	_____ TAG _____



542-PK2



Made in China

Item Number

**542-PK2**