

UNIVERSAL PIPE CLAMP FOR THREADED ROD

» 550 SERIES

TD+™

SPECIFICATION

Sioux Chief 550 series TD+™ universal pipe clamp for threaded rod shall be used to secure any pipe or conduit ranging from 1/2" CTS to 2" IPS on 3/8" threaded rod. Clamp shall allow support of multiple lines as needed and provide variable clamping tension to allow for thermal expansion and contraction. Clamp shall be corrosion proof and be compatible with copper, PEX and CPVC. Noise-reduction inserts shall be available for applications having acoustical requirements. Bridges may be stacked for additional height from mounting surface or to separate multiple lines. Clamps shall be IAPMO listed.

MATERIALS

Standard Clamp: Nylon 66 (UL94 V-2)

Plenum-Rated Clamp: Polyvinylidene fluoride (ASTM E84 25/50, UL94 V-0)

Noise-Reduction Insert: 38 Durometer TPE¹

INSTALLATION

If needed, install acoustical cushions before pipe (see below). Align clamp with threaded rod and twist to lock clamp in place. Install a washer and nut on each side of clamp base for additional support (see load ratings below). Set pipe in base of clamp and ratchet bridge over pipe to secure. Additional bridges may be stacked as necessary to secure multiple lines.

Noise-reduction inserts (optional) may be installed to reduce noise transfer. To install noise-reduction inserts, remove adhesive backing and attach cushions to top of base and bottom of bridge. For multiple lines, install cushions to top of each bridge and stack as needed. Inserts do not alter temperature/load ratings.

Sioux Chief does not recommend inverted installations where the clamp base is mounted horizontally and the bridge is on the bottom of the pipe. Always follow local plumbing/building codes.

TEMPERATURE / SAFE WORKING LOAD²

Standard Clamp: -10° F – 130°F: 55 lbs.

Plenum-Rated Clamp: -10° F – 100°F: 35 lbs.

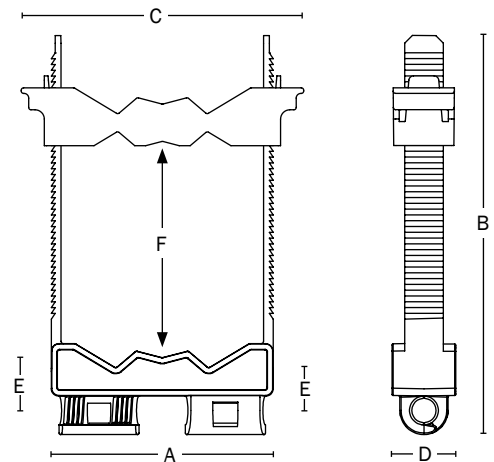
DIMENSIONS

A: Clamp width	2.875"
B: Overall height	5.170"
C: Bridge width	3.80"
D: Overall depth	0.825"
E: Base offset - center	0.6875"
Base offset - sides	0.5625"
F: Clamp capacity	0.240" – 3.285"
(with inserts)	0.240" – 3.085"

¹ Inserts not for use with plenum-rated models

² When installed on vertical threaded rod, with washer and nut on each side of clamp base

ITEM # SUBMITTED	_____
JOB NAME	_____
LOCATION	_____
ENGINEER	_____
CONTRACTOR	_____
PO#	_____ TAG _____



Create Item Number

550A

e.g. **550-3131:** Nylon (standard) TD+ universal pipe clamp for threaded rod with 1 bridge

CLAMP TYPE A

-**3131** = Nylon (standard) clamp with 1 bridge

-**3132** = Nylon (standard) clamp with 2 bridges

F3131 = PVDF (plenum-rated) clamp with 1 bridge

Accessories - Available Separately:

550-210: Nylon (standard) bridge only

550-214QPK2: PipeDown noise-reduction insert (10/bag)

550-214QPK3: PipeDown noise-reduction insert (50/bag)