

ADJUSTABLE SLAB SHOWER DRAIN

» 820 SERIES

SPECIFICATION

Sioux Chief 820 series adjustable slab shower drain shall be used where necessary in drainage systems. Strainer shall meet all load and flow requirements for installations in shower areas. Base adapter shall have a 2" Sch. 40 hub connection and connect to DWV pipe via solvent weld joint. Base adapter is designed to fit inside most 3" Sch. 40 PVC pipe. Designed for use in on-grade (only) tiled shower floors where a shower pan liner is not required.

Note: Not for use in above grade applications or where shower pan liner is installed

MATERIALS

Strainer: 430 Series stamped stainless steel

Head Adapter: Gray ABS

Base Adapter: Gray PVC

STRAINER LOAD RATING

300 lbs. (19 gauge)

STRAINER FREE AREA

3.25 in²

STRAINER FLOW CAPACITY

6.0 GPM

Observed flow rate under test conditions at 0.375" head.

DIMENSIONS

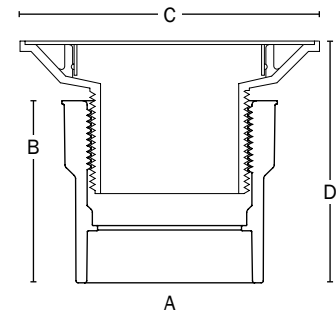
A: Connection	2" Sch. 40 Hub*
B: Base Height	2-5/8"
C: Top Diameter	4-3/8"
D: Overall Height	3-1/4" - 4-3/8"

* Fits inside 3" Sch. 40 PVC

ITEM # SUBMITTED	_____
JOB NAME	_____
LOCATION	_____
ENGINEER	_____
CONTRACTOR	_____
PO#	_____ TAG _____



820-270PQ



Create Item Number

820-AB

e.g. **820-27PQ:** Adjustable slab shower pan drain with square, snap-in strainer

TEST PLUG **A**

No test plug (standard)

T = DoubleDuty™ test plug included

STRAINER TYPE **B**

2P = Round, Screw-On stainless steel strainer

27P = Round, Snap-In stainless steel strainer

27PQ = Square, Snap-In stainless steel strainer