

# ADJUSTABLE FLASHING DRAIN

» 833 SERIES

FinishLine™

## SPECIFICATION

Sioux Chief 833 series FinishLine adjustable above-grade flashing drain shall be used where necessary in drainage systems. Flashing drain shall allow adjustment of 1¼" before the concrete pour, and 1¼" after the concrete pour. Flashing drain shall have an invertible flashing collar with openings to allow secondary drainage and ABS/PVC base adapter. Strainer shall meet applicable load requirements for intended use. Trap primer port shall be threaded ½" FIP for optional connection. Designed in accordance with ASME A112.6.3-2001.

## MATERIALS

**Ring/strainer:** nickel-bronze, stainless steel  
**Head adapter/Coring sleeve/Clamping collar:** gray ABS  
**Coring plug:** high-impact polymer  
**Base adapter:** ABS, PVC

## STRAINER LOAD RATING

	Large Top:	Std. Top
Nickel-bronze (heel-proof):	750 lbs. (light duty)	1,650 lbs. (light duty)
Stainless steel (heel-proof):	1,000 lbs. (light duty)	2,000 lbs. (light duty)

## STRAINER FREE AREA

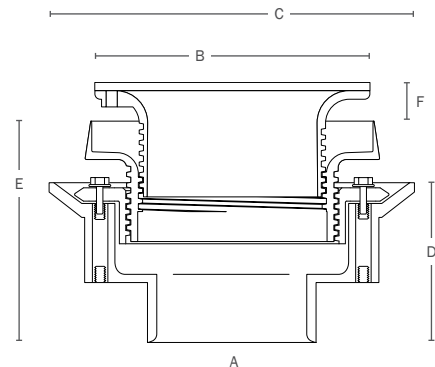
	Large Top:	Std. Top
Round Nik-Brz/Stainless:	13.4 in <sup>2</sup>	8.5 in <sup>2</sup>
Square Nik-Brz/Stainless:	16.4 in <sup>2</sup>	12.75 in <sup>2</sup>

## DIMENSIONS

A: Connection size	2", 3", 4" Sch. 40 hub
B: Ring/strainer diameter	
Round (Std. /Large)	5½" / 6½"
Square (Std. /Large)	5⅞" / 7"
C: Flange diameter	8½"
D: Base Adapter height	
2" / 3" / 4" connection	3⅞" / 3⅝" / 4"
E: Pre-pour adjustable height*	
2" / 3" / 4" connection	4¼" – 6½" / 4¾" – 7" / 5⅞" – 7⅜"
F: Post-pour adjustable height	
round / square	0" – 1¼" / ⅝" – 1¼"

\* Max height noted with inverted flashing collar

ITEM # SUBMITTED	_____
JOB NAME	_____
LOCATION	_____
ENGINEER	_____
CONTRACTOR	_____
PO#	_____ TAG _____



## Create Item Number

**833-ABCD**

e.g. **833-35PNQ:** FinishLine 3" Sch. 40 hub adjustable flashing drain with square nickel-bronze ring and strainer

### A: CONNECTION SIZE/TOP SIZE

**2** = 2" conn. / Large top  
**25** = 2" conn. / Std. top  
**3** = 3" conn. / Large top  
**35** = 3" conn. / Std. top  
**4** = 4" conn. / Large top

### B: CONNECTION TYPE

**A** = ABS Sch. 40 hub  
**P** = PVC Sch. 40 hub

### C: RING/STRAINER TYPE

**NR** = Round nickel-bronze  
**SR** = Round stainless steel  
**NQ** = Square nickel-bronze  
**SQ** = Square stainless steel

### D: OPTIONS (installed)

**V** = Vandal-resistant strainer screws  
**B** = Complies with Buy American Act<sup>1</sup>  
**E** = 1¼" extended strainer rim<sup>1</sup>  
**H** = Hinged strainer<sup>2</sup>

### Available separately:

Leveling shim kit for Std. top: 832-S3  
 Leveling shim kit for Large top: 832-S4  
 Stainless mesh debris bucket for Large top: 832-UM  
 Flexible locating bristles kit: 832-W  
 Ductile extension adapter for Std. top<sup>3</sup>: 832-EX3  
 Ductile extension adapter for Large top<sup>3</sup>: 832-EX4  
 Round nik-brz condensate funnel: 863-FN  
 Oval nik-brz condensate funnel: 863-FNO  
 Round aluminum condensate funnel: 863-FA

1 Available for round NB strainers only

2 Available for Large top only

3 Extends head 2" (min) to 4" (max) above Coring Sleeve