

ADJUSTABLE ON-GRADE FLOOR DRAIN

» 834 SERIES

FinishLine™

SPECIFICATION

Sioux Chief 834 series FinishLine™ adjustable on-grade cleanout shall be used where necessary in drainage systems. Cleanout shall allow adjustment before and AFTER the concrete pour. Scoriated cleanout cover shall meet applicable load requirements for intended use. Cleanout shall include a slotted, polypropylene cleanout plug, situated in base adapter. Designed in accordance with ASME A112.36.2M-2002.

MATERIALS

Ring/cover: Stainless steel

Coring plug: High-impact polymer

Head adapter/coring sleeve/base adapter: Stainless steel

Cleanout plug: Polypropylene

COVER LOAD RATING

4,000 lbs. (Medium duty)

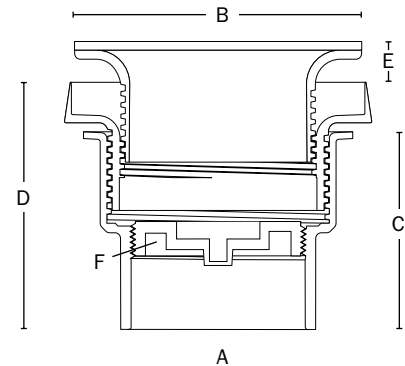
DIMENSIONS

A: Connection	3", 4"
B: Ring/cover diameter	
Round	6½"
Square	6⅝"
C: Base adapter height	4½"
D: Pre-pour height	5⅜" – 6⅝"
E: After-pour height	
Round	0" – 1¼"
Square	5/16" – 1¼"
F: Cleanout plug	3½" male thread

ITEM # SUBMITTED	_____
JOB NAME	_____
LOCATION	_____
ENGINEER	_____
CONTRACTOR	_____
PO#	_____ TAG _____



834-4SSR



Create Item Number

834-ABC

e.g. **834-4SSRV**: FinishLine™ cleanout with 4" No-Hub connection and vandal-resistant, round, stainless steel cover

CONNECTION A

3S = 3" No-Hub

4S = 4" No-Hub

INSTALLED OPTIONS C

V = Vandal-resistant strainer screws

S = Stamping: specify letters

C = Carpet marker

ACCESSORIES (ordered separately)

832-S4 = Leveling shim kit

832-W = Flexible locating bristle kit

RING/STRAINER B

SR = Round stainless steel

SQ = Square stainless steel