

# ADJUSTABLE HORIZONTAL BACK-TO-BACK CLOSET CARRIER - 1,000-LB. LOAD

## 837 SERIES

### SPECIFICATION

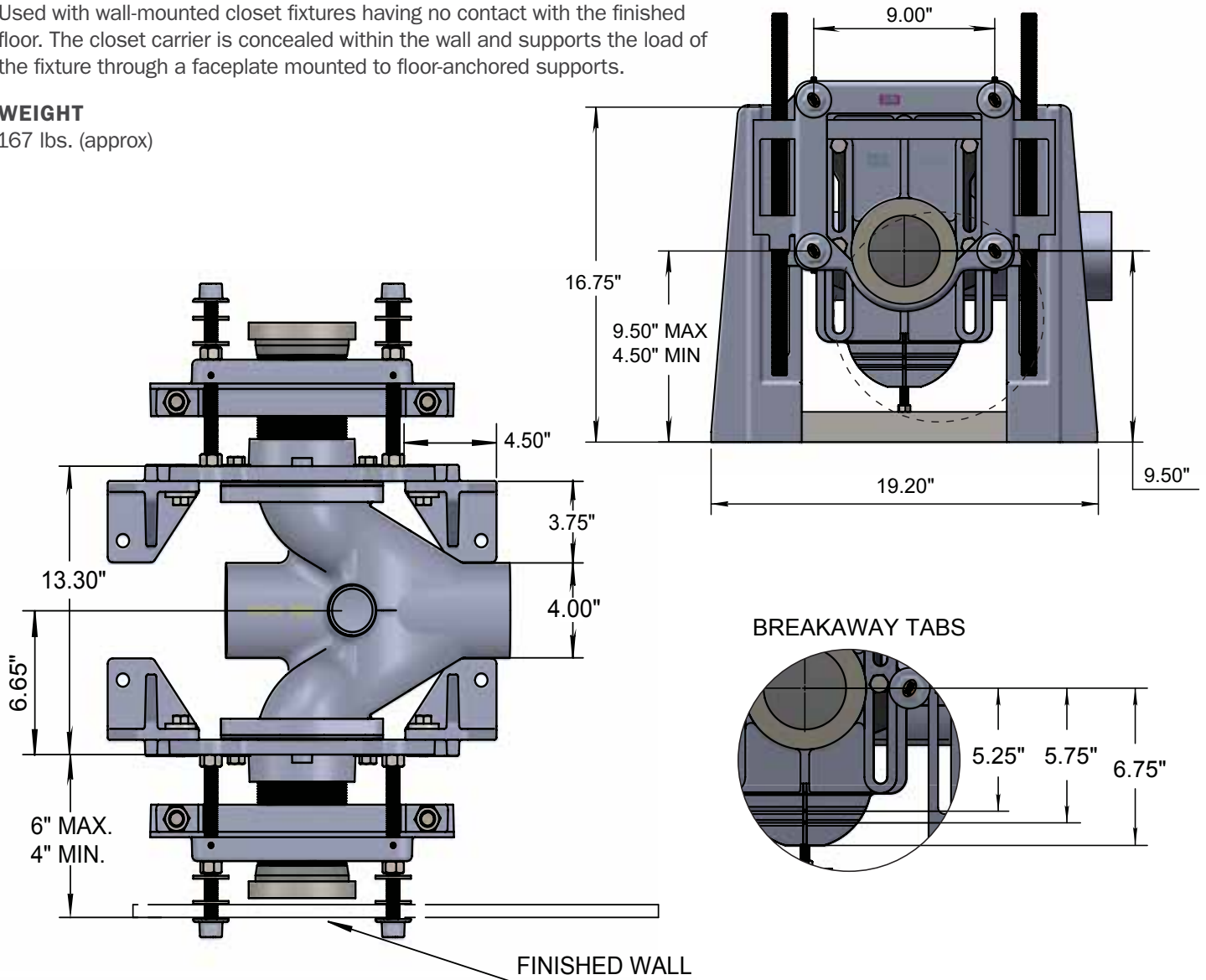
Sioux Chief 837 Series adjustable, horizontal back-to-back water closet carrier with 4" No-Hub connections, rated for 1,000 lb. maximum static load. Includes coated cast iron double main fitting with 2" vent, adjustable faceplate with o-ring, floor mounted supports, extended stud support frame, adjustable ABS couplings with integral test cap, fixture bolts, trim, stud protectors, and neoprene fixture gasket. Designed in accordance with ASME A112.6.1M

Used with wall-mounted closet fixtures having no contact with the finished floor. The closet carrier is concealed within the wall and supports the load of the fixture through a faceplate mounted to floor-anchored supports.

### WEIGHT

167 lbs. (approx)

ITEM # SUBMITTED	_____
JOB NAME	_____
LOCATION	_____
ENGINEER	_____
CONTRACTOR	_____
PO#	_____ TAG _____



Create Item Number

**837-A**

e.g. **837-HBD:** Adjustable horizontal 1,000-lb. back-to-back water closet carrier with double-inlet fitting

#### THREADED COUPLING LENGTH A

**HBD** = 6" ABS threaded coupling (standard)

**HBDT** = 12" ABS threaded coupling