

ADJUSTABLE VERTICAL BACK-TO-BACK CLOSET CARRIER - 750-LB. LOAD

837 SERIES

SPECIFICATION

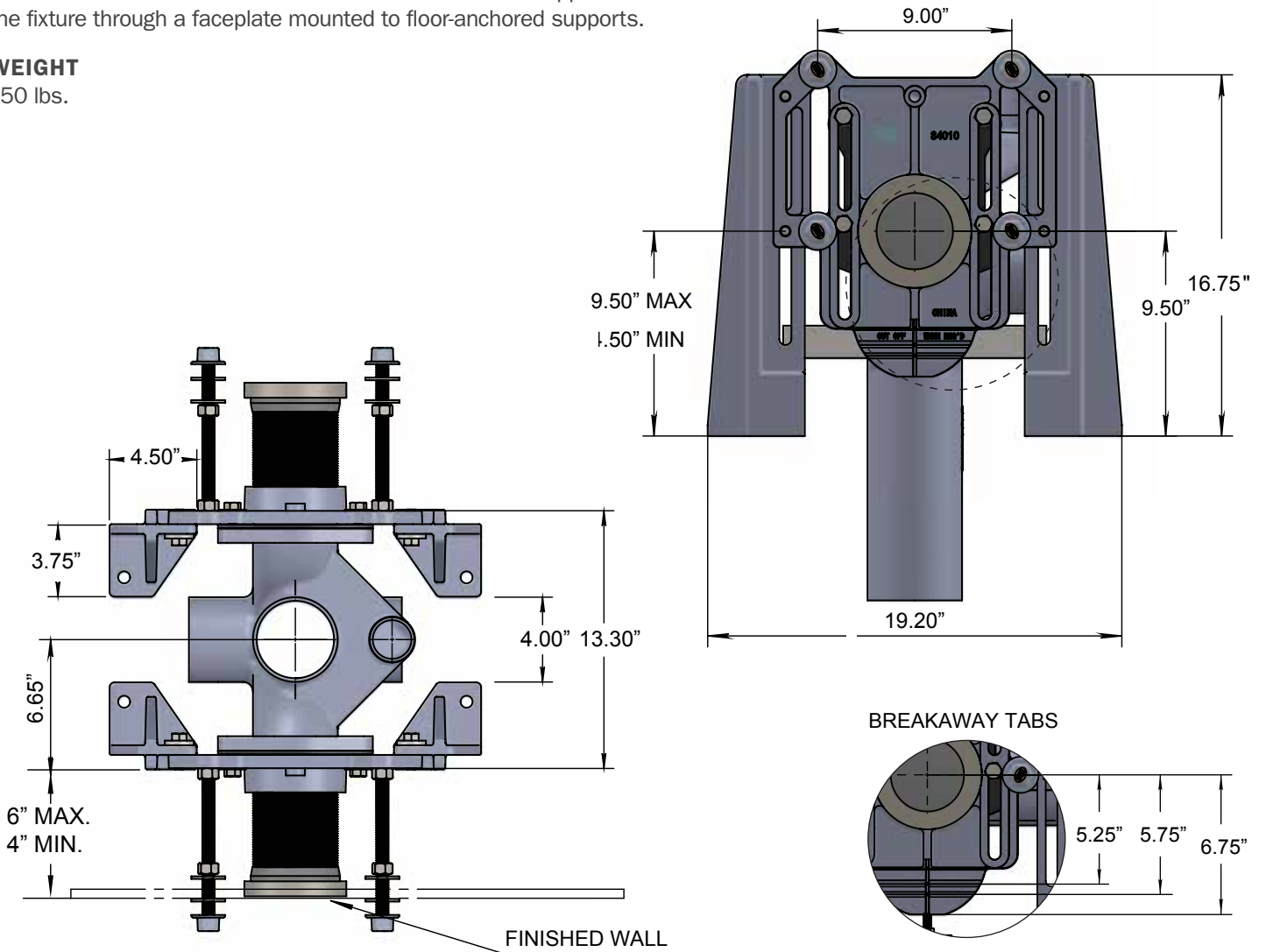
Sioux Chief 837 Series adjustable, vertical back-to-back water closet carrier with 4" No-Hub connections and optional side inlets, rated for 750 lb. maximum static load. Includes coated cast iron right-hand or left-hand main fitting with 2" vent, adjustable faceplates with o-rings, floor mounted supports, adjustable ABS couplings with integral test cap, fixture bolts, trim, stud protectors, and neoprene fixture gasket. Designed in accordance with ASME A112.6.1M

Used with wall-mounted closet fixtures having no contact with the finished floor. The closet carrier is concealed within the wall and supports the load of the fixture through a faceplate mounted to floor-anchored supports.

WEIGHT

150 lbs.

| | |
|------------------|-----------------|
| ITEM # SUBMITTED | _____ |
| JOB NAME | _____ |
| LOCATION | _____ |
| ENGINEER | _____ |
| CONTRACTOR | _____ |
| PO# | _____ TAG _____ |



Create Item Number

837-A

e.g. 837-VX21: Adjustable vertical 750-lb. back-to-back water closet carrier with one-side-inlet fitting

SIDE INLET A

VX20 = No side inlets

VX21 = One side inlet

VX22 = Two side inlets

OPTIONS B

T = 12" ABS threaded coupling

(6" threaded coupling is standard)