

HEAVY-DUTY ACCESS HOUSING

» 850 SERIES

SPECIFICATION

Sioux Chief 850 Series heavy-duty access housing shall be used where necessary in drainage systems. Housing shall be used to provide access to cleanouts, valves or other fixtures in heavy-traffic areas. Housing shall incorporate dual outer flanges which lock into concrete to support the housing independently of fixture. Cover shall be vandal-resistant and meet applicable load requirements for intended use.

Designed in accordance with ASME A112.36.2M

MATERIALS

Housing body: Ductile Iron

Cover: Ductile Iron

Optional ring/cover veneer: Nickel-bronze

Cover lifting device: Nickel-bronze

COVER LOAD RATING

10,000 lbs. (Extra-heavy duty)

DIMENSIONS

A: Inner diameter	8-1/2"
B: Clear opening	6-1/2"
C: Top diameter ¹	9-1/4"
D: Flange diameter	11-1/4"
E: Overall height ²	11-1/2"
F: Top to upper flange	2-3/4"
G: Top to lower flange	7-1/8"

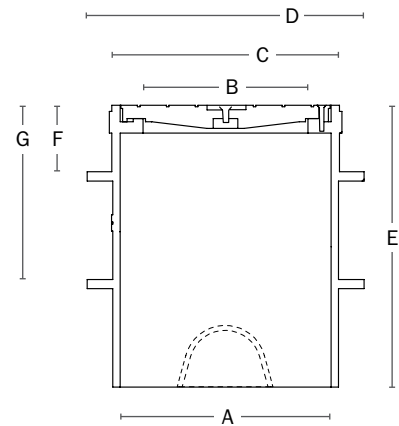
1 add 7/16" for nickel-bronze veneer

2 add 1/4" for nickel-bronze veneer

ITEM # SUBMITTED	_____
JOB NAME	_____
LOCATION	_____
ENGINEER	_____
CONTRACTOR	_____
PO#	_____ TAG _____



850-9i



Create Item Number

850-A B

e.g. **850-9i**: Heavy-duty access housing with ductile iron cover

COVER A

9i = Ductile iron cover with lifting device

9iN = Ductile iron cover with Nickel-bronze ring/cover veneer and lifting device