

# ADJUSTABLE FLOOR DRAIN WITH ROUND CAST IRON GRATE

## » 862 SERIES

### SPECIFICATION

Sioux Chief 862 Series coated cast iron adjustable floor drain with anchor flange, weep holes, clamping collar, adjustable round cast iron top with vandal-resistant secured grate, 1/2" NPT trap primer (plugged) and bottom outlet. Designed in accordance with ASME A112.6.3

General purpose floor drain for use in warehouses, mechanical rooms, parking garages, and other areas with heavy-duty traffic.

### MATERIALS

**Drain body:** cast iron  
**Clamping collar:** cast iron  
**Head/grate:** cast iron

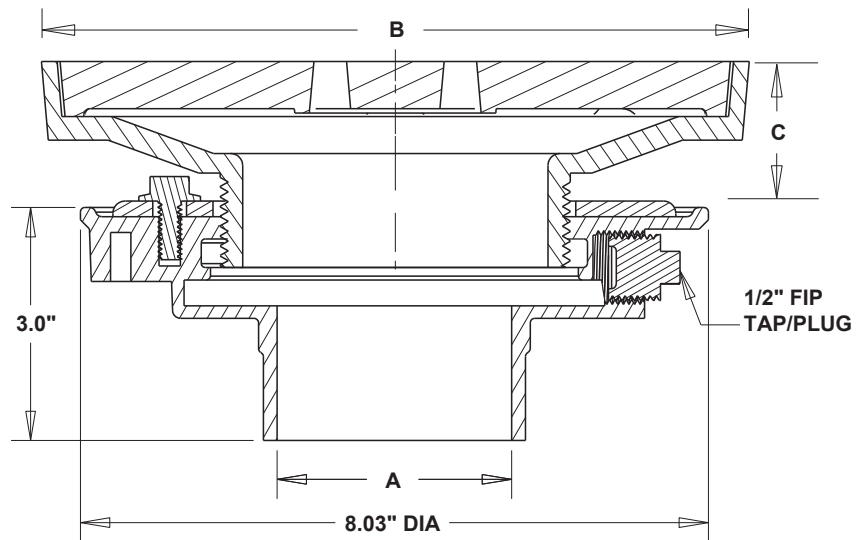
### LOAD RATING

Extra Heavy-duty (7,500 - 10,000 lbs).

### DIMENSIONS

<b>A:</b> Connection size (No-Hub)	2", 3", 4"		
<b>B:</b> Top diameter	7"	9"	
<b>C:</b> Strainer adjustment	1.4" - 2.65"	1.55" - 2.55"	
Strainer free-area	15.8 in <sup>2</sup>	22.5 in <sup>2</sup>	

ITEM # SUBMITTED	_____
JOB NAME	_____
LOCATION	_____
ENGINEER	_____
CONTRACTOR	_____
PO#	_____ TAG _____



## Create Item Number

### 862-ABCD

e.g. **862-2371B:** Floor drain - 3" No-Hub connection, 7" round cast iron head/strainer with debris bucket

#### CONNECTION TYPE A

**2** = No-Hub outlet  
**6** = Push-Joint outlet

#### CONNECTION SIZE B

**2** = 2"  
**3** = 3"  
**4** = 4"

#### STRAINER DIAMETER C

**7I** = 7" round  
**9I** = 9" round

#### OPTIONS D

**A** = Epoxy-coated body/collar  
**B** = Debris bucket  
**X** = Drain head extension adapter