

# PVC ROUND FLOOR SINK

» 864 SERIES

LittleMax™

## SPECIFICATION

Sioux Chief 864 Series LittleMax compact floor sink shall be used where necessary in drainage systems. Sink shall be made with 100% acid/U.V./impact/bacteria resistant PVC. Sch. 40 hub connection shall conform to ASTM D2665. Sink shall show no significant distortion at discharge water temperatures up to 180°F (intermittent). Strainer shall meet all applicable load requirements for intended use. Strainer rim can be used as a clamping collar for above-grade applications.

## MATERIALS

Sink body: PVC  
Rim/collar screws: stainless steel  
thread inserts: brass

## STRAINER LOAD RATING

2,000 lbs. (full strainer)

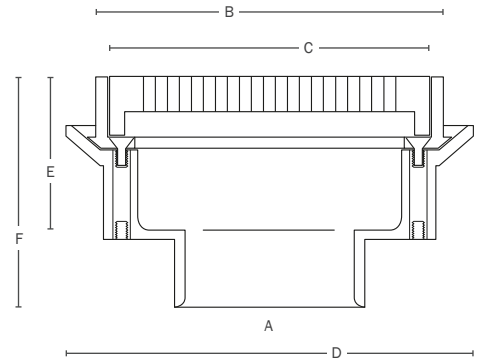
## STRAINER FREE-AREA

16.91 in<sup>2</sup> (full strainer)

## DIMENSIONS

A: Connection	2", 3", 4" Sch. 40 hub
B: Rim/collar diameter	7 <sup>1</sup> / <sub>4</sub> "
C: Strainer diameter	6 <sup>5</sup> / <sub>8</sub> "
D: Flange diameter	8 <sup>1</sup> / <sub>2</sub> "
E: Sump depth	3 <sup>1</sup> / <sub>8</sub> "
F: Overall height	
2" sink	4 <sup>1</sup> / <sub>4</sub> "
3" sink	4 <sup>7</sup> / <sub>8</sub> "
4" sink	5 <sup>1</sup> / <sub>8</sub> "

ITEM # SUBMITTED	_____
JOB NAME	_____
LOCATION	_____
ENGINEER	_____
CONTRACTOR	_____
PO#	_____ TAG _____



### Create Item Number

## 864- A B

e.g. 864-W3PU2: 3" Sch. 40 hub PVC floor sink with open-half strainer and SS debris basket

### A CONNECTION

- W2P 2" Sch. 40 hub
- W3P 3" Sch. 40 hub
- w4P 4" Sch. 40 hub

### B OPTIONS

- V Vandal-resistant strainer screws
- T Tapped trap primer port 1/2" FIP
- S PVC sand bucket
- U Stainless steel debris basket
- 2 Open-half strainer<sup>1</sup>
- 3 Open-quarter strainer<sup>1</sup>
- X Less strainer<sup>1</sup>

### ACCESSORIES

- 864-WGP PVC strainer with lift handle
- 864-WS PVC sand bucket
- 864-UM Stainless steel debris basket
- 863-FA 4" Aluminum funnel - round
- 863-FN 4" Nick-Brz funnel - round
- 863-FNO 4x9" Nik-Brz funnel - oval

<sup>1</sup> Full PVC strainer with lift handle is standard