

# TRENCH DRAIN

## 865 SERIES

HydroBlock™

### SPECIFICATION

Sioux Chief 865 Series HydroBlock™ 150 trench drain shall be used where necessary for surface drainage. Trench drain shall incorporate a one-piece, ductile iron channel/grate design to eliminate grate 'rattle' and provide ultimate durability in heavy-traffic applications. Trench drain shall be qualified as 'Type I' according to EN 1433 and approved for use in areas with high dynamic forces. System shall incorporate gasket-sealed, 'hub & spigot' joints for fast, watertight installations. Grate shall be ADA-compliant. Concrete thickness and reinforcement shall be per structural engineer's specification for the application. Designed in accordance with ASME A112.6.3

### MATERIALS

**Channel/Grate:** Enamel-coated ductile iron (ASTM A536 70-50-05)

**Sealing Gasket:** Flexible elastomer

### GRATE INTAKE AREA

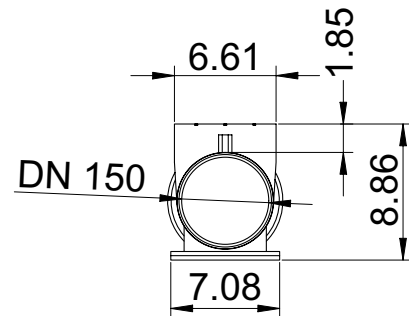
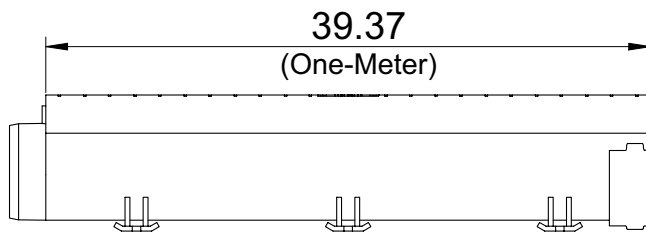
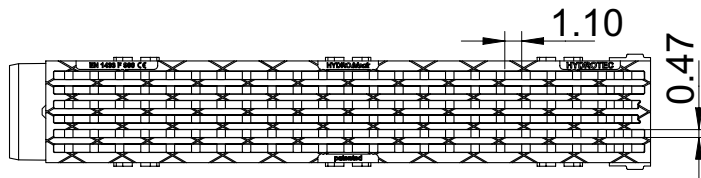
79.5 in<sup>2</sup> / meter

### LOAD RATING

Class F900 per DIN EN 1433

HS25 per AASHTO

|                  |                 |
|------------------|-----------------|
| ITEM # SUBMITTED | _____           |
| JOB NAME         | _____           |
| LOCATION         | _____           |
| ENGINEER         | _____           |
| CONTRACTOR       | _____           |
| PO#              | _____ TAG _____ |



### Specify Item Number

#### CHANNEL

**865-HB6ADA00FA** = One-Meter section - one-piece design

**865-HB6ADA005FA** = Half-Meter section - with removable grate<sup>1</sup>

#### Accessories - Available Separately:

865-HB6ADA005BFA: Half-meter, bottom-outlet section with removable grate<sup>1</sup>

865-HB6ADA005HSFA: Half-meter, Left/Right/End-outlet section with removable grate<sup>1</sup>

865-HB6ADACBFA: Half-meter, catch basin with removable grate<sup>1</sup>

865-6PC: PVC S&D connection pipe for 6" Nom. outlets

865-6DS: Domed SS debris strainer for 6" Nom. bottom outlet section

865-HB6EC: Closed end cap for SOCKET end

865-HB6OC: Closed end cap for SPIGOT end

865-HB6AINSB: Installation tool for ADA HydroBlock

<sup>1</sup> Removable grate is locked down with four stainless steel, hex-socket screws