

# TRENCH DRAIN

865 SERIES

FastTrack™

## SPECIFICATION

Sioux Chief 865 Series FastTrack large-capacity, end-line catch basin shall be used where necessary to convey surface water into drainage system. Catch basin shall be fabricated from durable, lightweight, chemical-resistant material. Basin shall include ductile iron frame and grate, and integral bottom/side outlet. Basin shall be designed to connect on one end to FastTrack large-capacity channel with tongue-in-groove style joint. Upper section shall be designed with structure-reinforcing ribs and anchor tabs in frame for securing with 3/8" re-bar (supplied by others). Removable debris basket (optional) shall be available as required to prevent trash and large debris from entering drain line. Designed in accordance with ASME A112.6.3-01

## MATERIALS

**Basin / Outlet:** High-density polyethylene  
**Grate / Grate Frame:** Ductile iron

## LOAD RATING

Class D400 / F900 per DIN EN 1433

## GRATE FREE AREA

Class D400 Slotted: 93.2 in<sup>2</sup>  
 Class F900 Mesh: 121 in<sup>2</sup>

Grate openings are not considered heel-resistant, or ADA compliant

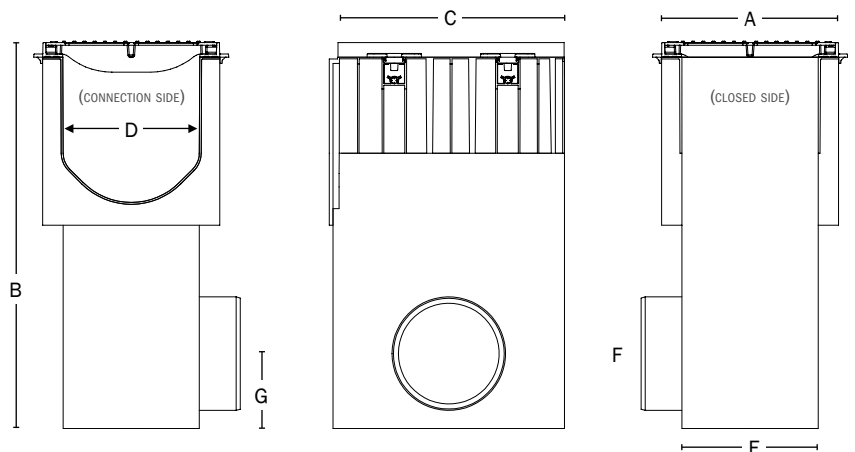
## DIMENSIONS

<b>A:</b> Frame width	15.3"
<b>B:</b> Overall height	33.5"
<b>C:</b> Frame length	19.69" (half-meter)
<b>D:</b> Channel width	11.89"
<b>E:</b> Base width	11.8"
<b>F:</b> Bottom outlet (spigot)	10" Nom. (DN 250)
<b>G:</b> Base to outlet C/L	6.5"

ITEM # SUBMITTED	_____
JOB NAME	_____
LOCATION	_____
ENGINEER	_____
CONTRACTOR	_____
PO#	_____ TAG _____



865-TNCBDS



### Specify Item Number

#### CATCH BASIN

**865-TNCBDS** = Half-Meter catch basin - Class D400 slotted grate  
**865-TNCBFM** = Half-Meter catch basin - Class F900 mesh grate

**Accessories - Available Separately:**  
 865-TNB: Removable stainless steel debris basket for catch basin