

TRENCH DRAIN

» 865 SERIES

HydroTec™

SPECIFICATION

Sioux Chief 865 Series HydroTec™ Maxi 150 trench drain shall be used where necessary for surface drainage. Trench drain shall incorporate a fiber-reinforced concrete channel, ductile iron edge rails, and ductile iron, ADA-compliant, grating with 'boltless' grate-locking system - all components shall be assembled. Channel shall have a U-shaped flow area and a smooth outer wall to maximize adhesion with concrete encasement and reduce trapped air pockets. Edge rails shall be integrally formed into the channel wall. Concrete thickness and reinforcement shall be per structural engineer's specification for the application.

Designed in accordance with ASME A112.6.3

MATERIALS

Grating: Ductile iron (ASTM A536 70-50-05) - ADA-Compliant

Edge Rails: Ductile iron (ASTM A536 70-50-05)

Drain channel: Fiber-reinforced concrete - neutral profile

Compressive strength: C35/45 (DIN EN 206)

Frost and de-icing salt resistant (DIN EN 1433 Class +R)

Fire Rating: A2 - non-combustible, no smoke, no burning drip (DIN 4102)

Thermal expansion/contraction: 1×10^{-6} mm/Kelvin*

Maximum water penetration depth: 8 mm (watertight per DIN EN 1433)

GRATE INTAKE AREA

76.2 in² / meter

LOAD RATING

Class F900 per DIN EN 1433

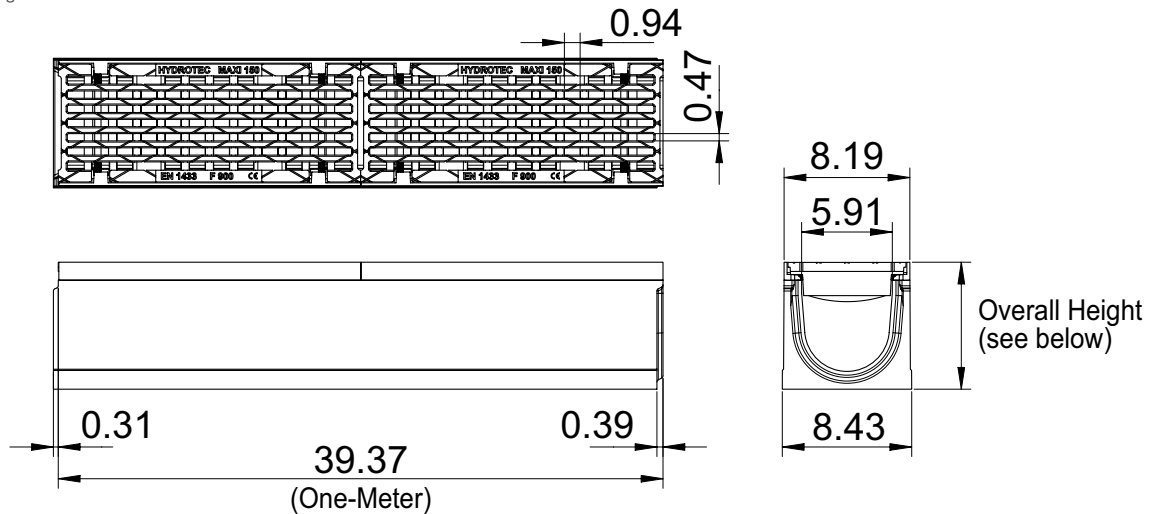
HS25 per AASHTO

Extra-Heavy Duty per ASME A112.6.3

ITEM # SUBMITTED	_____
JOB NAME	_____
LOCATION	_____
ENGINEER	_____
CONTRACTOR	_____
PO#	_____ TAG _____



* Same as surrounding concrete foundation



Specify Item Number

NEUTRAL CHANNEL - OVERALL HEIGHT

865-M6N00FA = One-Meter section - 8.27" Overall height

865-M6N005FA = Half-Meter section - 8.27" Overall height

865-M6N05FA = One-Meter section - 10.24" Overall height

865-M6N055FA = Half-Meter section - 10.24" Overall height

865-M6N10FA = One-Meter section - 12.20" Overall height

865-M6N105FA = Half-Meter section - 12.20" Overall height

Accessories - Available Separately:

- 865-M6N005SFA: Side-outlet section - Half-meter - 8.27" height - Class F900 grate
- 865-M6N00BFA: Bottom-outlet section - One-meter - 8.27" height - Class F900 grate
- 865-M6N055SFA: Side-outlet section - Half-meter - 10.24" height - Class F900 grate
- 865-M6N05BFA: Bottom-outlet section - One-meter - 10.24" height - Class F900 grate
- 865-M6N105SFA: Side-outlet section - Half-meter - 12.20" height - Class F900 grate
- 865-M6N10BFA: Bottom-outlet section - One-meter - 12.20" height - Class F900 grate
- 865-M6CBFA: Catch basin with basket - Half-meter - Class F900 grate
- 865-6LR: Grate-locking rod for Maxi 150 System
- 865-6PC: PVC S&D connection pipe for 6" Nom. outlets
- 865-6RS: Rubber sleeve/seal for 6" Nom. bottom outlets
- 865-6UC: Universal end cap (open/closed) for Maxi 150 System
- 865-SHOVEL: Cleaning shovel for Maxi System
- 865-TOOL: Grate locking/unlocking tool