

BALL VALVE ACCESS BOX with DUAL VALVES

▶▶ 687 SERIES

ServiceBox™

SPECIFICATION

Sioux Chief 687 Series access box with dual ball valves shall be used where accessible, full-port ball valves are required. Ball valves shall be replaceable, 600 WOG, with forward-facing drain port and quarter-turn operation. Valve shall incorporate a union-style connection with brass tailpieces. Tailpiece connections shall comply with ASTM standards.

INSTALLATION

See www.siouxchief.com for full installation instructions. Install in a location that allows for operation, service, maintenance, etc. Make all connections per ASTM standards with compliant materials and processes. Test with water and inspect all connections for leaks before use.

MATERIALS

- Valve body:** No-lead brass²
- Tailpieces:** No-lead brass¹
- Valve handle:** Anodized aluminum
- Union gaskets:** EPDM
- MainBlock tube anchors:** ABS
- Access box:** Fire-rated ABS

CERTIFICATIONS/APPROVALS

- ☞ Tested/Certified/Approved for use in fire-rated applications - See back for ratings
- IAPMO Listed, Complies with ANSI/NSF 372, Meets ASME A112.18.1 and ASME A112.4.14
- End connections are manufactured to specifications called out in their respective ASTM standards.
- Standards for Fittings and tube options include: CPVC D2846, PEX tube F876/F877, PEX fittings ASTM F1807 & F1960, PERT tube ASTM 2769, PE tube ASTM D2737, PVC pipe ASTM D1785, CTS push fittings (ASSE 1061) compatible with CTS tube, IPS push fittings compatible with IPS pipe

VALVE MAX PRESSURE

600 psig WOG

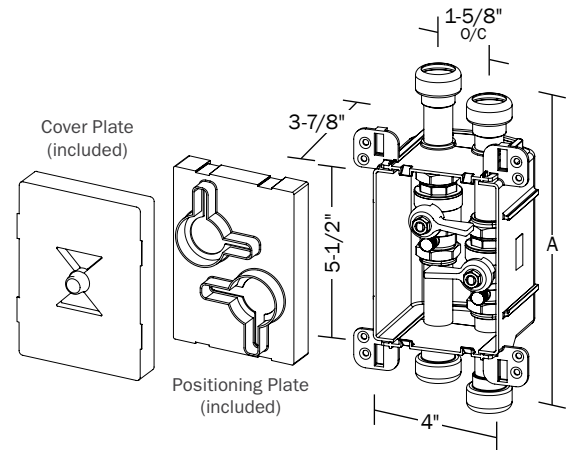
DIMENSIONS

A: Overall height	Push (CTS)	PEX F1960	PEX F1807
1/2" Nom	9-3/4"	9-7/8"	10-5/8"
3/4" Nom	9-3/4"	9-7/8"	10-5/8"

ITEM # SUBMITTED	_____
JOB NAME	_____
LOCATION	_____
ENGINEER	_____
CONTRACTOR	_____
PO#	_____ TAG _____



687-3QDT



Create Item Number

687-AB

e.g. **687-3QDT**: Access box with dual, 600 WOG full-port ball valves with drain - 3/4" Push x 3/4" Push connection

CONNECTION SIZE A

- 2 = 1/2" Nom.
- 3 = 3/4" Nom.

CONNECTION TYPE B

- QDT** = Push Socket (CTS)
- WDT** = PEX F1960 Expansion
- XDT** = PEX F1807 Crimp

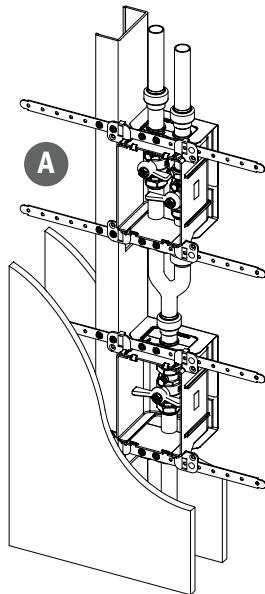
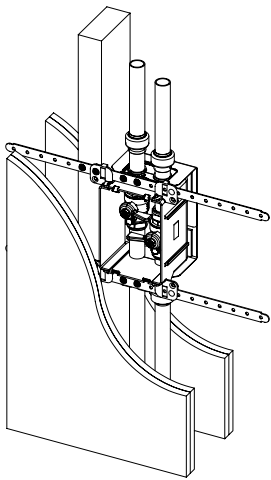
Accessories - Available Separately:

- 687-1F: Finish frame - fits all ServiceBox access boxes
- 696-EX: Frame extension - for multiple layers of drywall
- 696-SC: Solid frame insert
- 687-Y33: Wye splitter: 3/4" x 3/4" x 3/4"
- 687-Y43: Wye splitter: 1" x 3/4" x 3/4"

- 1 Tailpiece material is C693 on PEX F1807/F1960, and C46500 on Push Socket connection. Materials are dezincification and SCC resistant, and compliant with NSF-61 Annex G (California No Lead Plumbing Law)
- 2 Valve material is C69300. Dezincification and SCC resistant, and compliant with NSF-61 Annex G (California No Lead Plumbing Law)

1 Box

2 Boxes
Stacked



ASTM E814

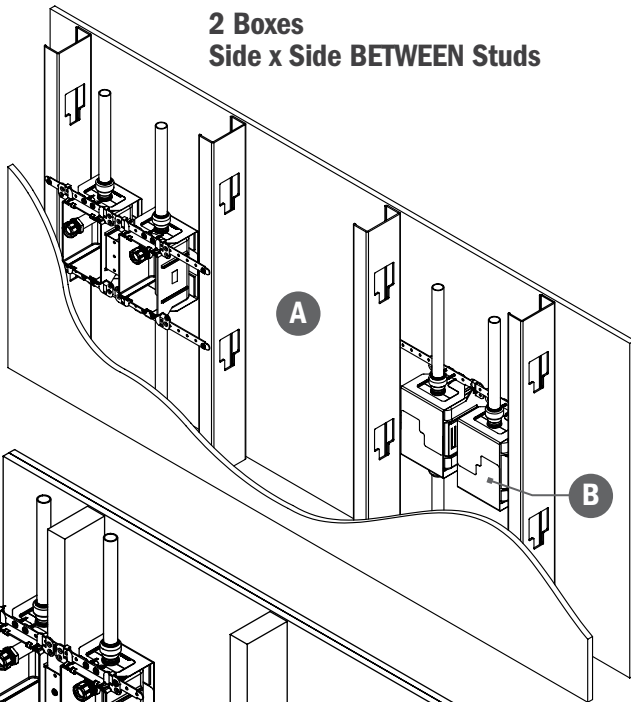
1 Hr Walls:
F: 60 min
T: 34.5 min
H: ✓

2 Hr Walls:
F: 120 min
T: 58.5 min
H: ✓

1 Hr = 1 layer 5/8" each face | 2 Hr = 2 layers 5/8" each face
Wood or Steel Studs | No back-to-back installations

A NO penetrations in adjacent stud cavity

2 Boxes
Side x Side BETWEEN Studs



ASTM E814

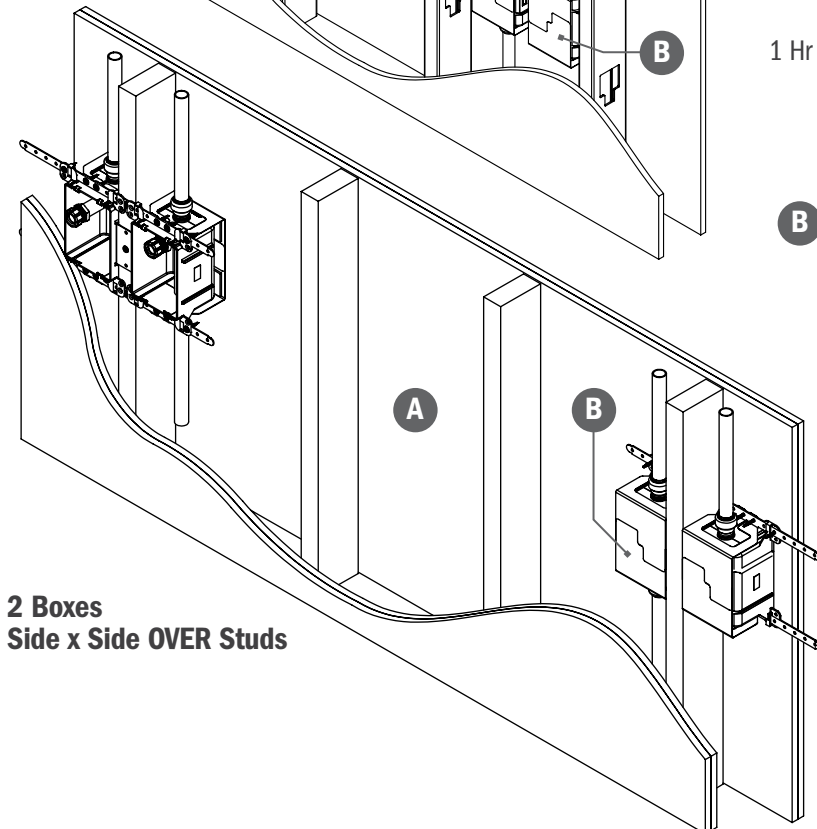
1 Hr Walls:
F: 60 min
T: 27.5 min
H: ✓

2 Hr Walls:
F: 120 min
T: 60 min
H: ✓

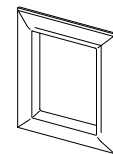
1 Hr = 1 layer 5/8" each face | 2 Hr = 2 layers 5/8" each face
Wood or Steel Studs | No back-to-back installations

A NO penetrations in adjacent stud cavity

B Interlocked metal fire-shield with intumescent pad



2 Boxes
Side x Side OVER Studs



No. 687-1F

Frames sold separately

