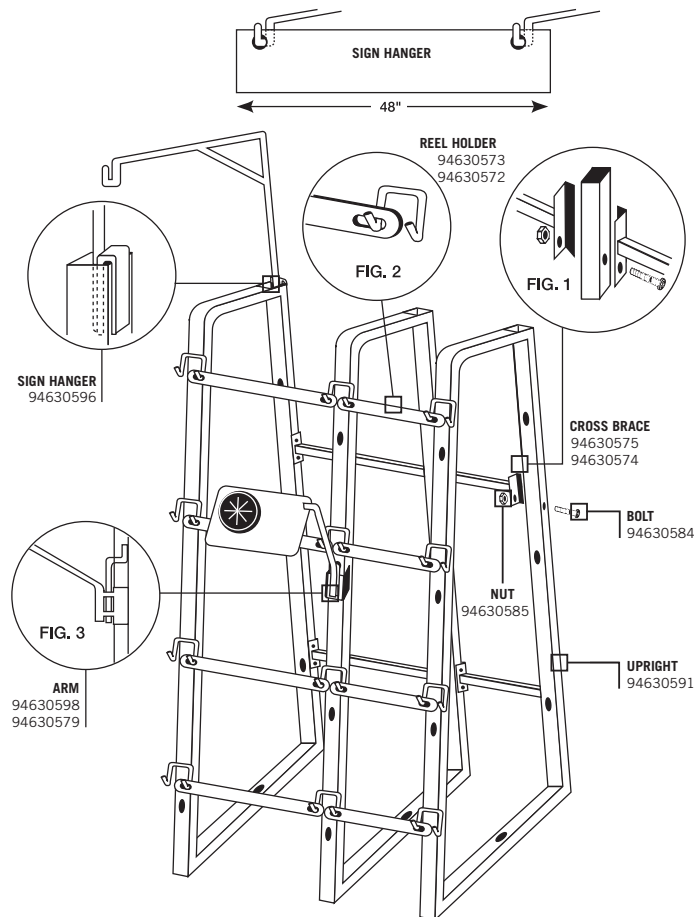


Assembly Instructions

▶▶ Vinyl Tubing Display Rack

1. Locate plan-o-gram and determine width of first display row (either 13" or 8").
2. Select upright and appropriate size rear brace bar. Thread bolt through pre-drilled site on upright as shown
3. Finger-tighten nuts. Thread next bolt through other side of back brace, next upright, and the appropriate size brace for the next row. Finger-tighten nuts. Install 3 back braces for a 7ft high rack or 2 braces for a 4ft high rack. Install reel holders as you finish each row to keep the rack square (figure 2)
4. After completing display, tighten all nuts keeping reel holders in place.
5. **DISPLAY RACK MUST BE SECURED TO BACK WALL AND/OR FLOOR!** Attach with nylon straps or screws.
6. Install tubing onto rack according to plan-o-gram, making sure all tubing feeds from the top. Part number of tubing is located on side of each reel.
7. Starting from right side of display, install angle arm on the right upright of desired tubing in line with pre-drilled hole in the front of upright (figure 3). Note: Large and extra large angle arms are provided. Use extra large with 24" diameter spools.
8. Use plan-o-gram and attach self-stick labels to front plate of angle arms. Remove shrink wrap from tubing and pull six inches of tubing through grommet.
9. Install tubing cutter and usage chart on chain within easy reach of customer.
10. Mount angle sign holders to vertical upright as shown (figure 4). Use 3 holders per 4ft section. Drill two 1/4" holes in header (figure 5) and hang on hooks.



ITEM NO.	DESCRIPTION
42143028	COMPLETE TUBING RACK KIT 4FT X 7FT WITHOUT SIGN

ITEM NO.	DESCRIPTION	QTY. with 4ft RACK
94630591	UPRIGHT - 7 HOOK	5
94630575	CROSS BRACE - 8 IN	6
94630574	CROSS BRACE - 13 IN	6
94630573	REEL HOLDER - 8 IN	14
94630572	REEL HOLDER - 13 IN	14
94630598	LARGE ARM	28
94630596	SIGN HANGER	-
94630584	1/4 - 20 X 2 BOLTS	20
94630585	1/4 - 20 HEX NUTS	20

ITEM NO.	DESCRIPTION
42131025	COMPLETE TUBING RACK KIT 8FT X 7FT WITHOUT SIGN

ITEM NO.	DESCRIPTION	QTY. with 8ft RACK
94630591	UPRIGHT - 7 HOOK	10
94630575	CROSS BRACE - 8 IN	18
94630574	CROSS BRACE - 13 IN	6
94630573	REEL HOLDER - 8 IN	29
94630572	REEL HOLDER - 13 IN	14
94630598	LARGE ARM	28
94630579	X- LARGE ARM	15
94630596	SIGN HANGER	-
94630584	1/4 - 20 X 2 BOLTS	30
94630585	1/4 - 20 HEX NUTS	30